

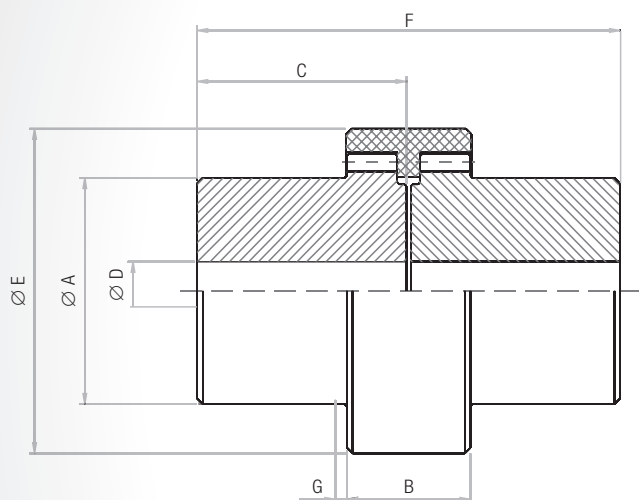
ELASTIC COUPLINGS

Model 1

- **Great vibration absorption**
- **High mechanical resistance**
- **Economical**
- **No maintenance required**



ASSEMBLY EXAMPLE



Description

Elastic couplings **nil-uni3n model 1** are very suitable for reducer's input and output, machines and devices subjected to a high effort, and machines fully loaded that must start and stop frequently.

This part consists of metallic pinions and nylon crowns. Contact areas in the surface of crowns don't suffer any wear due to the characteristics of nylon used in their manufacture. In fact, they possess great vibration absorption and a high mechanical resistance.

Crown's shear torque: 40 times the nominal torque indicated in the tables. Those parts isolate electrically the driving machine from the driven machine because there is no metal contact between them.

| Type | A mm | B mm | C mm | D mm | | E mm | F mm | G mm ⁽¹⁾ | TORQUE Nm ⁽²⁾ | Max V. (rpm) | WEIGHT kg ⁽³⁾ | Z | |
|------|------|------|------|------|-----|------|-------|---------------------|--------------------------|--------------|--------------------------|----|-------|
| | | | | min | max | | | | | | | | |
| 12 | 27 | 20 | 25 | 0 | 12 | 40 | 51 | 1 | 3,6 | 10.000 | 0.250 | 20 | STEEL |
| 16 | 30 | 25 | 30 | 0 | 16 | 50 | 61 | 1 | 10,5 | 8.200 | 0.375 | 18 | |
| 22 | 36 | 35 | 35 | 0 | 22 | 60 | 71 | 1 | 21,5 | 7.500 | 0.580 | 22 | |
| 28 | 45 | 38 | 40 | 0 | 28 | 75 | 81 | 1 | 47,5 | 7.100 | 0.850 | 22 | |
| 34 | 55 | 40 | 50 | 0 | 34 | 95 | 101 | 1 | 100 | 6.600 | 1.950 | 20 | |
| 42 | 78 | 50 | 65 | 21 | 42 | 120 | 131,5 | 1,5 | 180 | 5.500 | 5.300 | 22 | CAST |
| 50 | 92 | 55 | 80 | 28 | 50 | 135 | 161,5 | 1,5 | 250 | 4.200 | 8.500 | 26 | |
| 60 | 108 | 60 | 100 | 33 | 60 | 155 | 201,5 | 1,5 | 360 | 3.550 | 14.000 | 27 | |
| 70 | 123 | 60 | 110 | 44 | 70 | 173 | 221,2 | 1,5 | 720 | 3.100 | 18.000 | 27 | |
| 85 | 150 | 70 | 130 | 55 | 85 | 210 | 261,5 | 1,5 | 1440 | 2.400 | 33.000 | 34 | |
| 100 | 170 | 80 | 150 | 65 | 100 | 240 | 301,5 | 1,5 | 2380 | 2.100 | 50.500 | 40 | |

Z = number of teeth.

(1) Assembly set between pinions and crown. (2) Maximum permissible torque at peak is 40 times higher than indicated.

(3) The weight indicated in this column is for the coupling with minimum bottom diameter.