

PNEUMATIC BRAKE-CLUTCH

WITHOUT ROTARY AIR INTAKE

Type NEF



Description

The pneumatic brake-clutch EIDE type NEF it is a compact unit composed of pneumatic clutch and opposed brake acting by spring reaction. The drive cylinder is fed radially with compressed air at a nominal pressure of 5.5 bars. The air consumption is minimum, the air chamber provided with chromeplated and lapped liners providing an optimum efficiency.

The driving part is linked to the unit through two ball bearings, it is provided with a cylindrical area with axial threaded bores for an easy coupling of a pinion or a pulley (see assembly examples **const. 1.1**) or of an elastic coupling to be adapted between two shafts in line (**const. 1.2**).

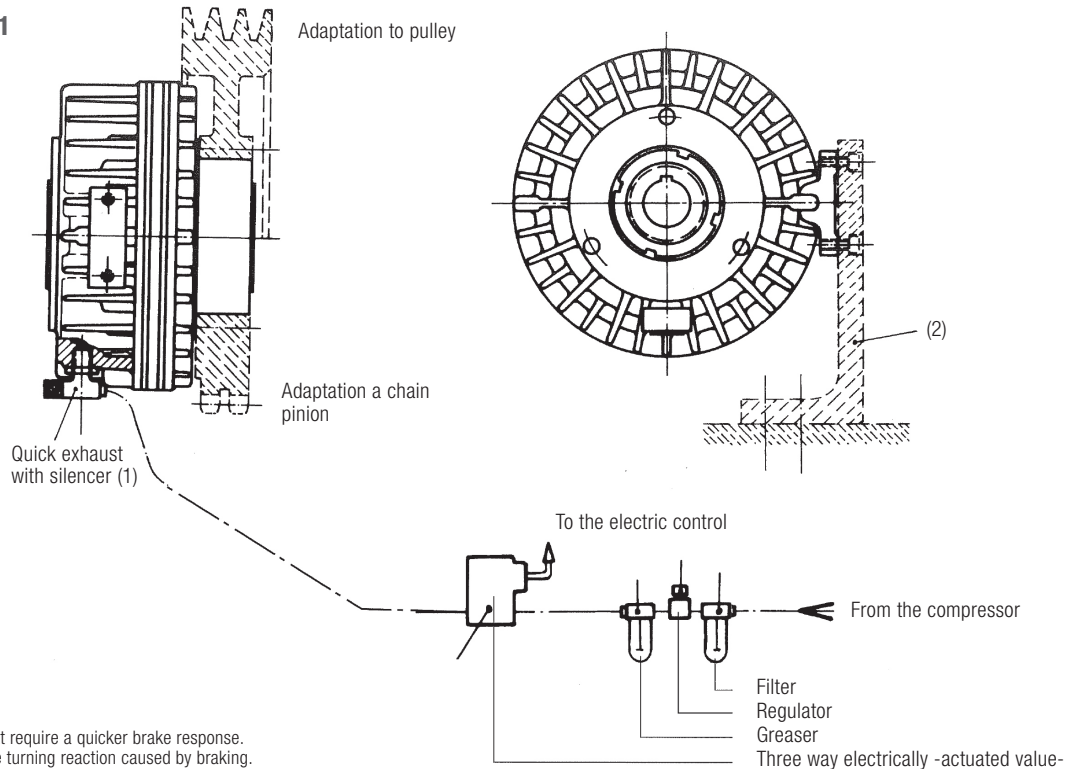
If we adjust the air pressure correctly, we shall be able to control the acceleration time of the machine as well as to obtain a limitation of the transmitted torque with the corresponding safety for the rest of the mechanisms.

Due to its structure, it does not require any special maintenance, the friction linings work at a very low specific pressure, therefore their wear is minimum.

The ball bearings are greased in the factory and do not require any further care.

ASSEMBLY EXAMPLES

Construction 1.1

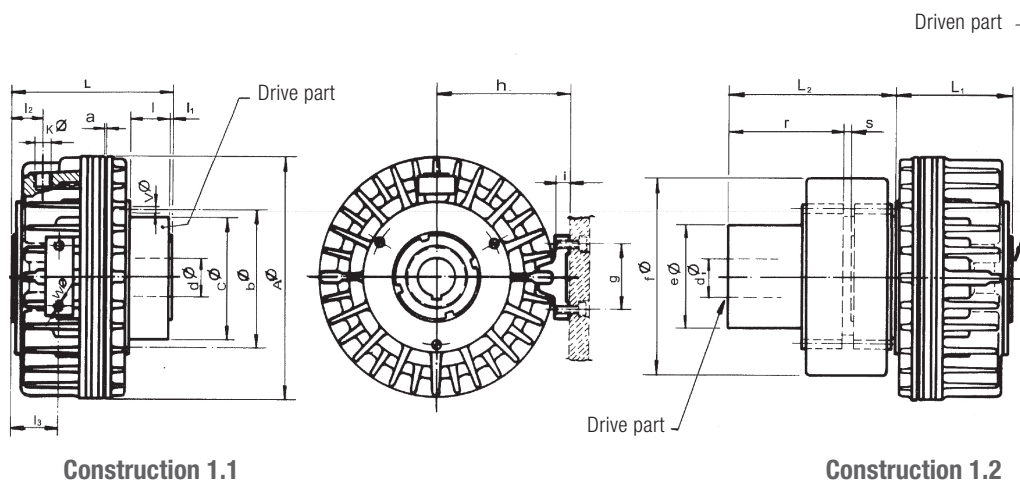


(1) Only in assemblies that require a quicker brake response.
(2) Support for locking the turning reaction caused by braking.

PNEUMATIC BRAKE-CLUTCH WITHOUT ROTARY AIR INTAKE Type NEF



Technical data and dimensions



Construction 1.1

Construction 1.2

SIZE		1,25/0,75	2,5/1,5	5/2,5	10/5	20/10	40/20
Clutch torque (at 5,5 bars.)	da Nm.	1,25	2,5	5	10	20	40
Brake torque	da Nm.	0,75	1,5	2,5	5	10	20
Max. revolutions per minute	n	2500	2000	1700	1500	1200	1000
J driven part	kg cm²	7	25	55	125	410	675
Mass const. 1.1	kg	3,7	6,8	11	17,5	30	44
Air chamber volumen	cm³	9	16	30	58	90	160
Used max.		14	26	48	90	160	266
	A	120	150	180	216	265	320
	b	72	85	98	115	132	160
	c	62	74	87	102	115	140
standard	d	19	24	28	38	42	55
max.	d	19	25	32	42	48	60
max.	d₁	34	42	50	60	70	85
	e	55	78	92	108	123	150
	f	95	120	135	155	173	210
	L	92	102	114	126,5	142	163
	L₁	65	75	83	93,5	109	122
	L₂	81,5	96,5	116	138	151,5	177,5
	l	26	26	30	32	34	40
	l₁	1	1	1	1	1	1
	l₂	15	17	19	23	27,5	27,5
	l₃	22	26	33	33	36	45
	h	73	87	101	123	145	172
	i	10	10	10	13	13	13
	g	42	42	42	50	50	50
	w	M6	M6	M6	M8	M8	M8
	v	6 x M5	6 x M6	6 x M6	6 x M8	6 x M10	6 x M12
Gas thread	k	1/8"	1/4"	1/4"	3/8"	3/8"	1/2"
	r	50	65	80	100	100	130
	s	4,5	4,5	5	5	6,5	6,5

