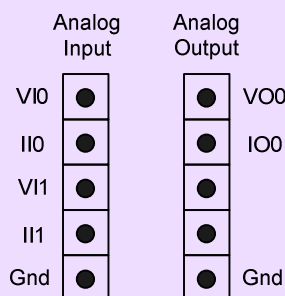


Introduction

FBs-B2A1D is one of the analog I/O boards of FATEK FBs series PLC. For analog output it provides 1 channel of 12-bit (coded in 14 bits) output signal. For safety, the output signal will be automatically forced to zero(0V or 0mA) when the module is not serviced by CPU for 0.5 second. For analog input it provides 2 channels of A/D inputs with 12-bit (coded in 14 bits) resolution. The Input/Output signal types (voltage or current) can be selected by the field wiring.

Pin Assignment



Specification

Analog Input

Total Channels : 2 Channels
Resolution : 12 bits
Coding Format : 14 bits (0 ~ 16380)
Signal Resolution : 2.44mV(Voltage), 4.88uA(Current)
Registers Occupied : 2 Registers (D4072 ~ D4073)
Conversion Time : Updated each scan
Accuracy : ±1 %
Max. Absolute Input Rating :
 ±15V(Voltage), 30mA(Current)
Input Impedance : 100KΩ(Voltage), 125Ω(Current)
Measurement Range : 0 ~ 10V(Voltage)
 0 ~ 20mA(Current)

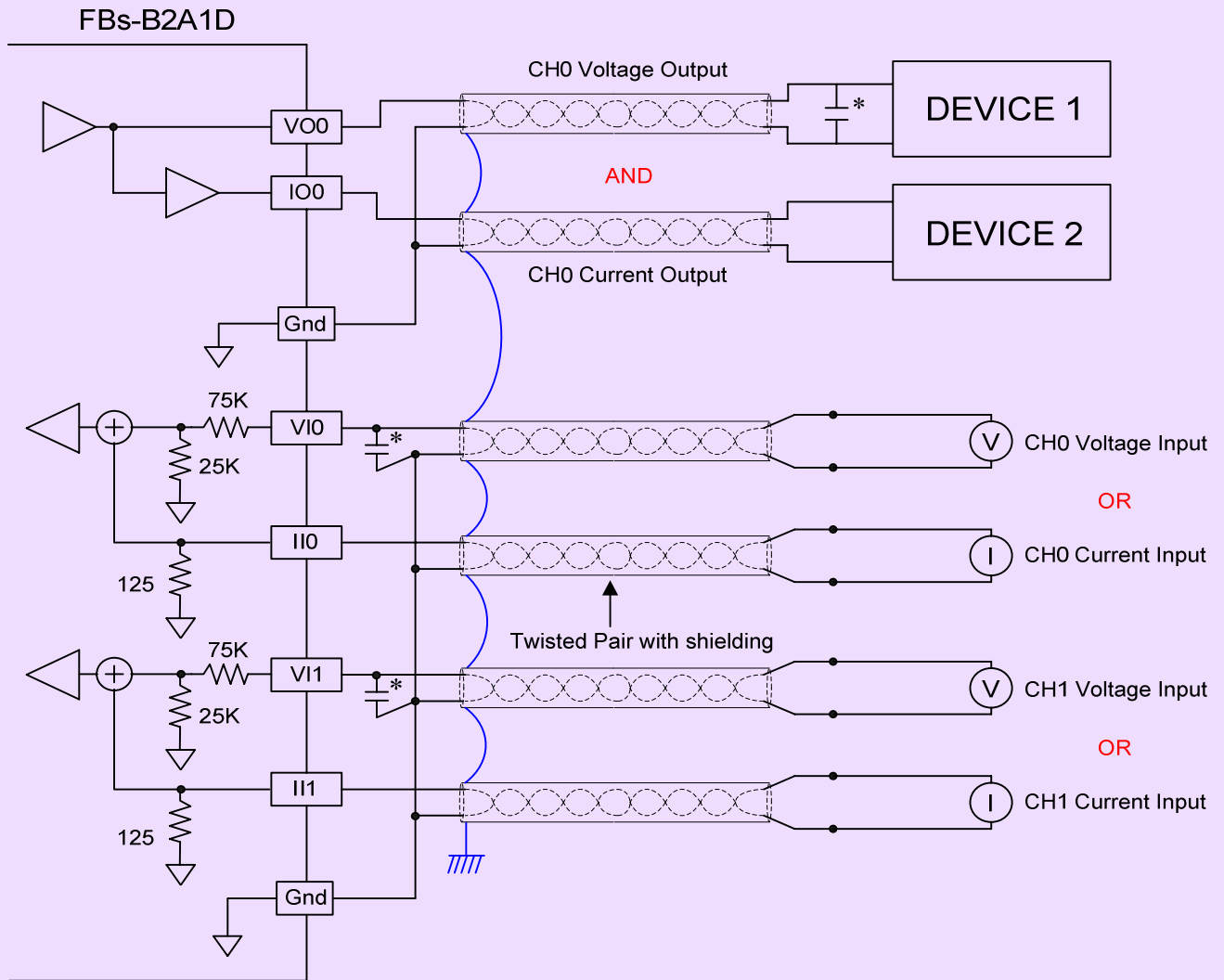
Analog Output

Total Channels : 1 Channel
Resolution : 12 bits
Coding Format : 14 bits (0 ~ 16380)
Signal Resolution : 2.44mV(Voltage), 4.88uA(Current)
Register Occupied : 1 Register (D4076)
Conversion Time : Updated each scan
Accuracy : ±1 %
Max. and Min. output loading :
 Voltage Output : 2K ~ 1MΩ
 Current Output : 0 ~ 500Ω
Output Range : 0 ~ 10V (Voltage)
 0 ~ +20mA (Current)

Common Specification

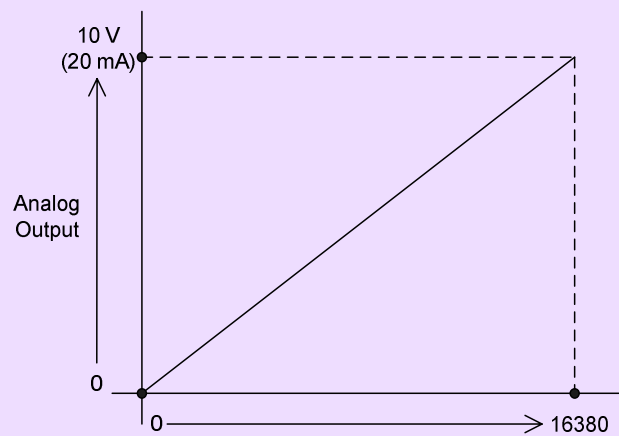
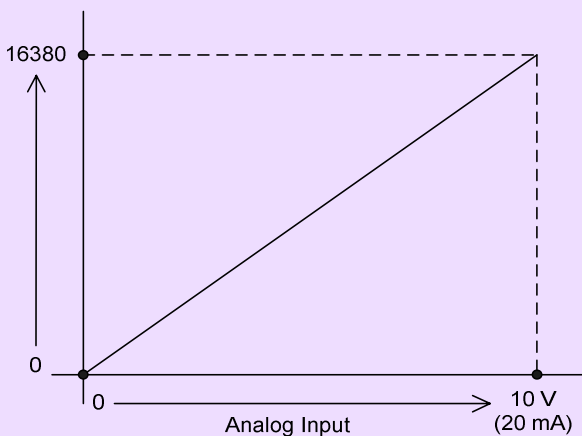
Indicator(s) : No
Internal Power Consumption : 5V, 100mA (Max. Load)
Operating Temperature : 0 ~ 60 °C
Storage Temperature : -20 ~ 80 °C

Wiring Diagram



* 0.1~0.47 uF capacitor (to filter noise).....Advice to Install, but not necessary!!

Characteristics Charts



Registers allocation Map

Channel No.		Mapped Register
Analog Input	CH0	D4072 (0 ~ 16380)
	CH1	D4073 (0 ~ 16380)
Analog Output	CH0	D4076 (0 ~ 16380)